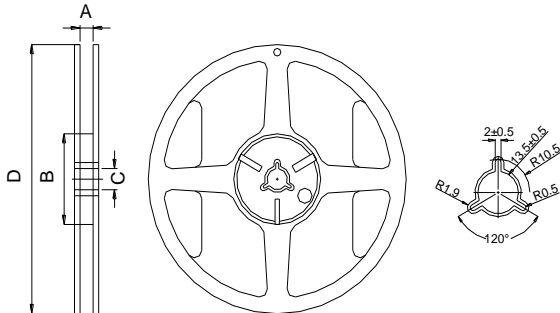


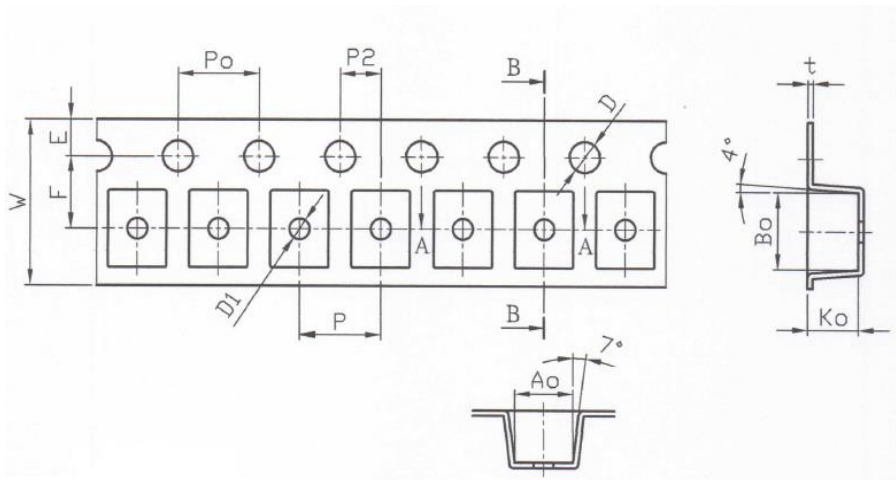
## Packaging Information

- Reel Dimension



Type	A(mm)	B(mm)	C(mm)	D(mm)
7"x8mm	9.0±0.5	60±2	13.5±0.5	178±2

- Tape Dimension



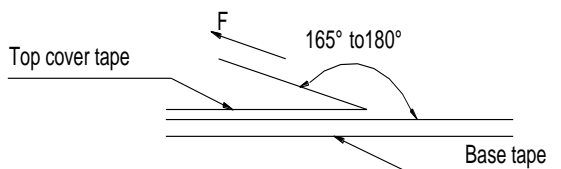
W(mm)	A0(mm)	B0(mm)	K0(mm)	P(mm)	P0(mm)	P2(mm)	E(mm)	F(mm)	D(mm)	D1(mm)	t(mm)
8.00	2.88	3.72	2.50	4.00	4.00	2.00	1.75	3.50	1.50	1.00	0.26
±0.10	±0.10	±0.10	±0.10	±0.10	±0.10	±0.05	±0.10	±0.05	+0.10/-0.00	±0.10	±0.05

- Packaging Quantity

Size	Reel	Inner Box	Middle Box	Carton
JACM 3225	2000	10000	50000	100000

- Tearing Off Force

The force for tearing off cover tape is 15 to 80 grams in the arrow direction under the following conditions.



Room Temp. (°C)	Room Humidity (%)	Room atm (hPa)	Tearing Speed (mm/min)
5~35	45~85	860~1060	300

## ■ Application Notice

- Storage Conditions(component level)

To maintain the solderability of terminal electrodes:

1. Products meet IPC/JEDEC J-STD-020D standard-MSL, level 1.
2. Temperature and humidity conditions: Less than 40°C and 60% RH.
3. Recommended products should be used within 12 months form the time of delivery.
4. The packaging material should be kept where no chlorine or sulfur exists in the air.

- Transportation

1. Products should be handled with care to avoid damage or contamination from perspiration and skin oils.
2. The use of tweezers or vacuum pick up is strongly recommended for individual components.
3. Bulk handling should ensure that abrasion and mechanical shock are minimized.